

## WARRANTY

This Tent is covered by a 12 month warranty. The Company undertakes to replace or repair, free of charge, any defect which the Company considers to be due to faulty workmanship or material within 12 months of the purchase date, except for:

- Damage caused by failure to replace the protective transit bags onto each captive pole receiver, when packing away.
- Defects arising from neglect, misuse or unauthorised modifications.
- Damage caused by storm, abuse, misuse, dropping or other similar damage caused by or as a result of failure to follow storage or erection instructions.
- Unauthorised alterations, additions or repairs.
- Transportation or shipment costs to and from the Manufacturer or their recognised agents, for repair or assessment against a warranty claim.
- Damage caused due to UV degradation.
- Materials and/or labour costs to renew, repair or replace components due to fair wear and tear or condensation.
- Tents used on permanent sites or displays.

THIS DOES NOT AFFECT YOUR STATUTORY RIGHTS.

The Manufacturer and/or their recognised agents, directors, employees or insurers will not be held liable for consequential or other damages, losses or expenses in connection with or by reason of or the inability to use the tent for any purpose.

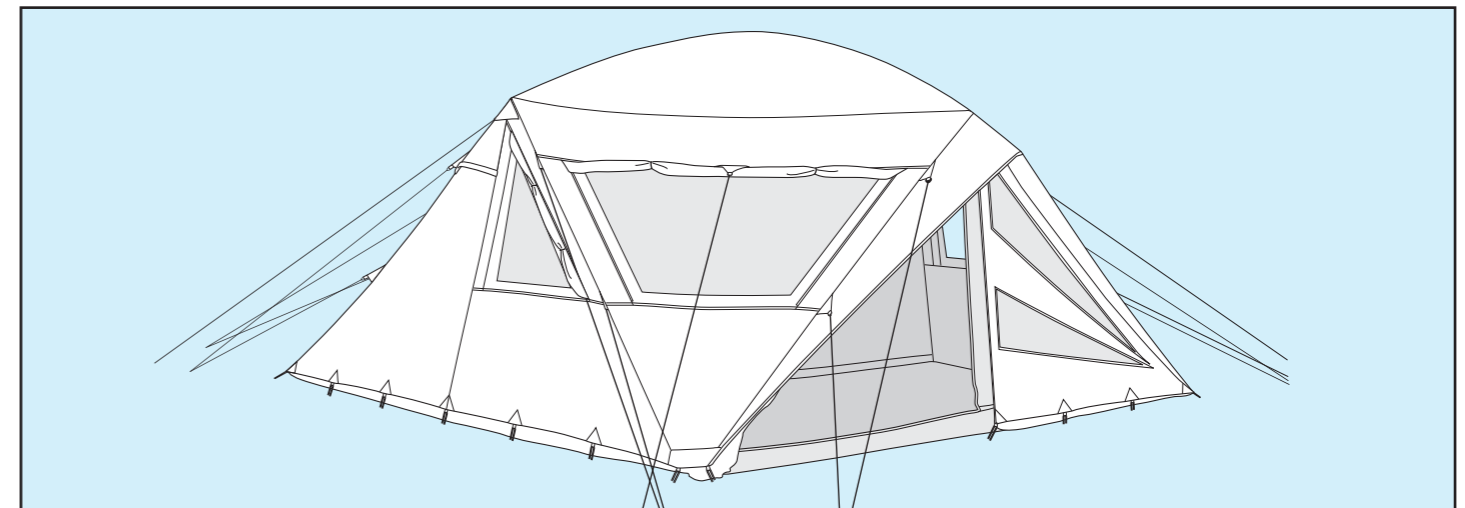
NOTE; Any claim(s) arising due to missing parts or faulty goods MUST be made before use. The manufacturer will not be responsible for any claims regarding missing parts or faulty items where the product has not been checked by the user prior to use.



*Thank you for purchasing the Prism Tent from SunnCamp.*

*Before erecting this tent, carefully read and understand these instructions. If there is anything you do not understand, contact your retailer for advice.*

*By following the instructions on erecting, dismantling, packing and storing the tent you will enjoy many years of trouble free camping.*



## PARTS LISTING

Your Prism Tent consists of the following items and you should check everything is present before setting off.

Tent Flysheet	1
Inner Tent with Intergrated Ground Sheet	1
Divider Curtain	1
Protective Bags	4
Cap Poles	2
Orange Poles Shock Corded	1
Red Poles Shock Corded	1
Red Steel Poles	4
Orange Steel Poles	4
Blue Steel Poles	2
Tent Peg Bag	1
Repair Kit	1
Tent Carry-Bag	1

It is a requirement of the warranty that you unpack and erect this tent at home prior to proper use. This will enable you to familiarise yourself with the tent and check all parts are present and in good condition.

If you find any part missing or a fault with your tent, contact the retailer before returning or using it.

## SITE SELECTION

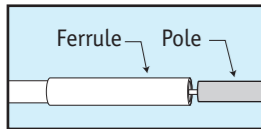
Choose a location where the ground is flat, clean, smooth and dry. Position the tent entrance away from the direction of the wind. Do not position on sharp, rocky or rough ground.

## GETTING STARTED

Unpack the tent and place the carry-bag somewhere safe. Separate all components and check that everything is present.

You should now ensure that all entrances to the tent are closed with all zips fully secured. If this is not done now, the tent will be out of alignment when fitting the tent pegs.

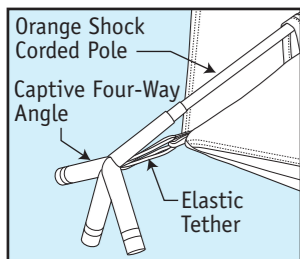
## SHOCK CORDED AND STEEL POLES



Take each Pole and slot together. The Poles are folded down to aid storage. When fitting shock corded pole sections together, make sure that the pole body is fully inserted into its adjoining ferrule.

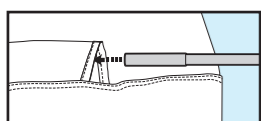
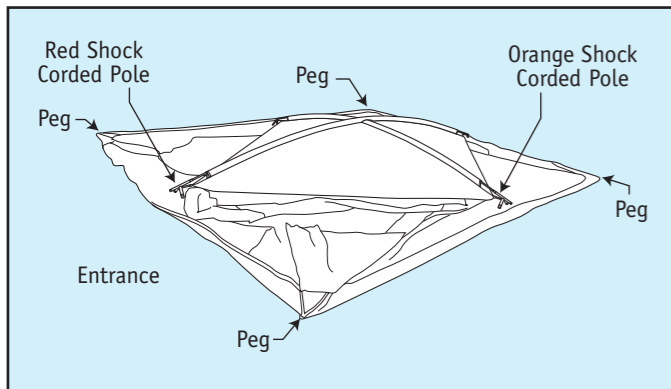
To ensure that all poles are inserted into the correct sleeve or location, both pole and sleeve/location carry the same colour coding.

## TENT

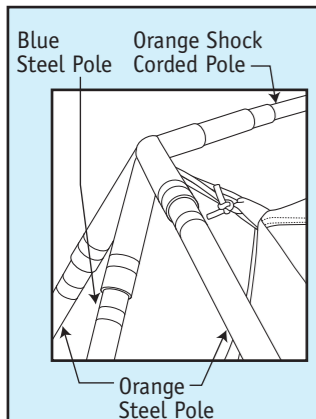


Lay the inner tent out on the selected ground area with the entrance correctly positioned. Starting with the four corners, secure the inner tent to the ground using the tent pegs.

Remove the protective transit bags from the four captive metal angles. The angles are tethered to the inner tent by elastic cord and should not be removed.

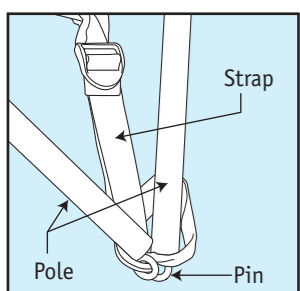


Start by inserting the orange shock corded pole then the red shock corded pole into their respective sleeves in the roof section.



Insert one end of the orange shock corded pole into the side angle, making sure that the correct colour code is observed. Next, go to the other end of the pole and insert into the opposite angle.

At this point, the pole will bring the roof under tension. Repeat this action with the red shock corded pole to bring the roof into shape.

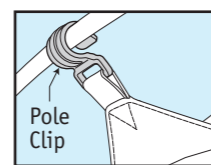
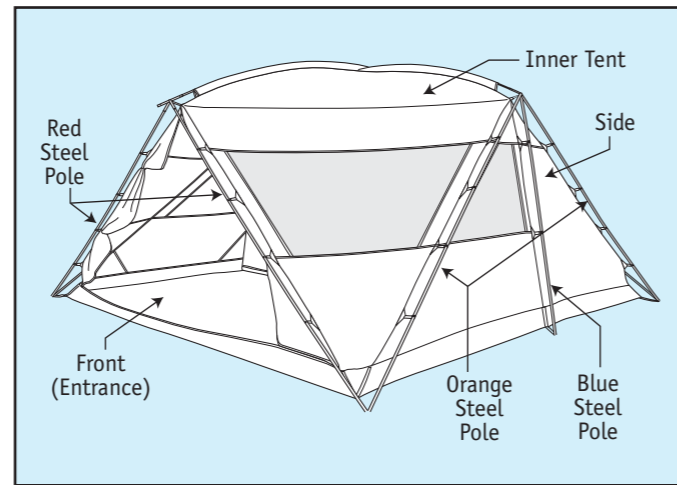


Working on one side at a time, insert two orange steel poles into the side angle followed by the blue steel pole (central).

At the lower end of each pole insert the respective ring pin into the end of the pole, to bring all three poles under tension.

Repeat this on the other side of the tent.

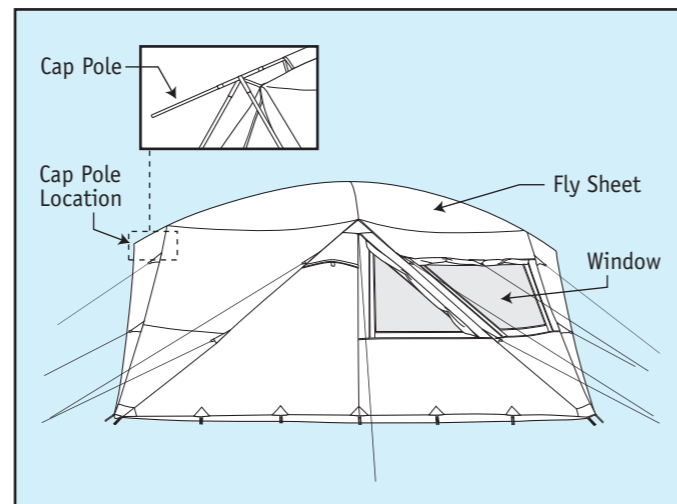
Next, insert two red steel poles into the angle at the front of the tent then working at the lower end of each pole insert the respective ring pin into the end of the pole, to bring both poles under tension.



Repeat this with the remaining red steel poles at the rear of the tent. Finish off by attaching the pole clips onto each pole to bring the inner tent into the correct shape.

## TENT FLYSHEET

Lay the tent flysheet out on the selected ground area with the entrance correctly positioned.

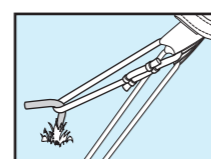


With help position the flysheet over the inner tent from the side. Take great care not to snag the flysheet on the exposed metal angles at the front and rear of the tent.

Where the flysheet aligns with the front and rear angles, insert the two short cap poles through the flysheet and into the remaining sockets of the angles. The tip of the cap pole should now be inserted into the retaining pockets on the flysheet.

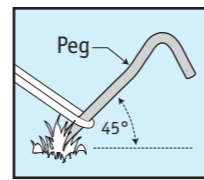
Tie all the flysheet's cords to their nearest pole, securing in place with a bow.

Finally, secure the tent flysheet to the ground with the remaining tent pegs



Pegs that are used to secure an entrance or door opening can be left slightly raised. This will allow easy hooking and unhooking when opening or closing the door.

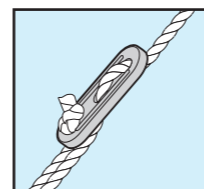
## TENT PEGS



When inserting into the ground, the peg should be set at a 45 degree angle away from the tent. Pegs should be hammered into the ground using a suitable mallet and NOT pressed in with the foot. Most bent pegs are caused by using your foot rather than a mallet.

Peg removal can be made easier if you use a suitable extractor.

## GUY ROPES



Secure each guy rope, positioning its tent peg at a suitable distance from the tent.

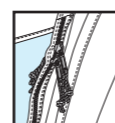
Once in position, tighten the ropes equally to bring the tent into its natural shape. DO NOT over tighten. To tighten, hold the rope above the slider and pull the slider up. To release, again hold the rope above the slider and pull the slider down.

Remember that all guy ropes are a trip hazard especially in the dark.

## ENTRANCES

The entrance is single skin and can be rolled up out of the way. When closed, the zip cover/baffle must be carefully secured into place ensuring the Velcro tabs are aligned and the skirt correctly positioned and secured by tent pegs, to avoid water ingress should it rain.

## WINDOWS



The windows have curtains which can be closed and are secured in place with hook and loop tape or side zips. When open, carefully roll the curtain down and secure with toggle and loop.

## SAFETY

It is advisable to have a 'Fire' bucket filled with water, placed outside the tent. Hopefully it will never be needed, but if it is, you will be glad you made the effort. The tent's fabric is fire retardant, NOT fire proof and therefore you must not smoke or use a naked flame in or near the tent. This includes the traditional 'camp fire'.

Guy ropes can cause a trip hazard and should be marked so that passers by can see them.

Tent pegs are also a trip hazard and should not be left 'half in'.

## CLEANING, STORING AND REPAIRS

### Cleaning...

Both inside and outside of the tent should only be cleaned using fresh clean water and a damp cloth. Do not use detergents or chemical cleaners.

The inner ground sheet can be washed with a mild detergent.

### Storing...

The tent is best stored in its original carry-bag, however, if the tent is dismantled when wet, you MUST not leave

it stored until it has been thoroughly dried. After a wet pack-up, erect the tent as soon as possible and allow to fully dry naturally before repacking in the carry-bag.

If stored when wet, the tent will suffer from mildew and will become unusable.

### Repairs...

Repairs to the tent should only be made by the manufacturer's recommended agents. Repairs made by an unauthorised party will make the manufacturer's warranty void.

## STORM AND WEATHER SUITABILITY

This tent is designed for light use in normal weather conditions. It is not suitable for storms, gales, sub zero or tropical conditions.

## UV DETERIORATION

Prolonged exposure to direct sunlight can weaken the fabric of the tent. To avoid the risk of UV Deterioration, site the tent in a shaded area, where it will be protected from exposure to strong sunlight.

## MOISTURE

Moisture collecting on the inside of the tent fabric is condensation caused by the occupier. It is NOT a sign of leakage.

Note that condensation or damage caused by it, is NOT covered by the manufacturer's warranty.

## SEAMS

This tent has all its main seams hot air taped to help prevent leakage. The remaining seams should be treated with a seam sealant to maximize the tents weatherproofing.

Seam sealant should also be applied to main seams where the tape has lost adhesion or has been damaged (tie points or suspension points for example).

Seam sealant is available from your SunnCamp stockist.

## DISMANTLING

To dismantle the tent, simply reverse the erection procedure ensuring the inner tent entrance is opened to allow air to escape when folding away.

All poles must be dismantled and the tent should be carefully rolled prior to placing back in the carry-bag.

Care MUST be taken to ensure that the protective transit bags are replaced to prevent the fabric being damaged by the captive pole receivers.